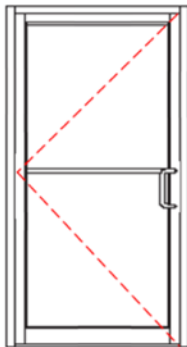


**FIELD SURVEY FOR AUTOMATIC DOOR OPENER**

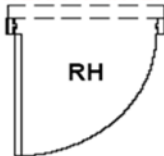
**STANLEY**

 inclusion-solutions

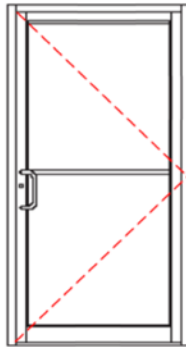
PROJECT NAME: \_\_\_\_\_  
 SITE ADDRESS: \_\_\_\_\_  
 CONTACT NAME: \_\_\_\_\_  
 PHONE / FAX / CELL: \_\_\_\_\_  
 DOOR LOCATION: \_\_\_\_\_



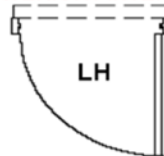
**EXTERIOR / INTERIOR**



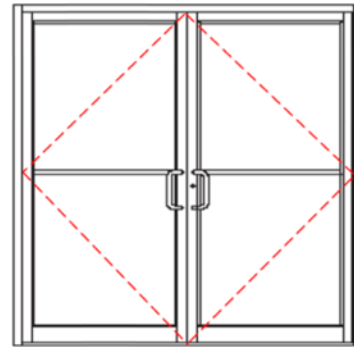
**EXTERIOR / INTERIOR**



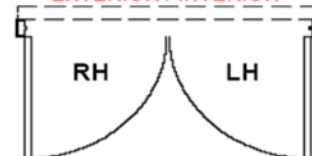
**EXTERIOR / INTERIOR**



**EXTERIOR / INTERIOR**



**EXTERIOR / INTERIOR**



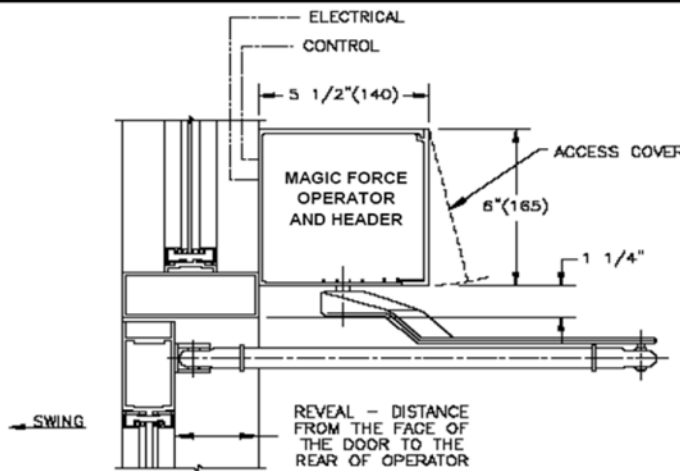
**EXTERIOR / INTERIOR**

*Please Circle Exterior or Interior For Each Door (See Plan View)  
 PLEASE COMPLETE ONE SHEET PER DOOR LOCATION*

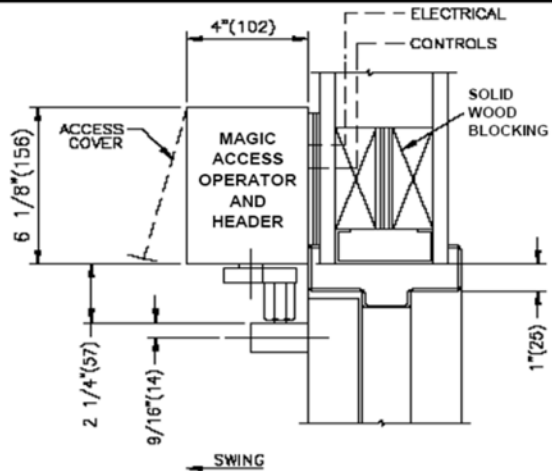
QTY: \_\_\_\_\_  
 Color: \_\_\_\_\_  
 Door Width: \_\_\_\_\_

QTY: \_\_\_\_\_  
 Color: \_\_\_\_\_  
 Door Width: \_\_\_\_\_

QTY: \_\_\_\_\_  
 Color: \_\_\_\_\_  
 Door Width: \_\_\_\_\_

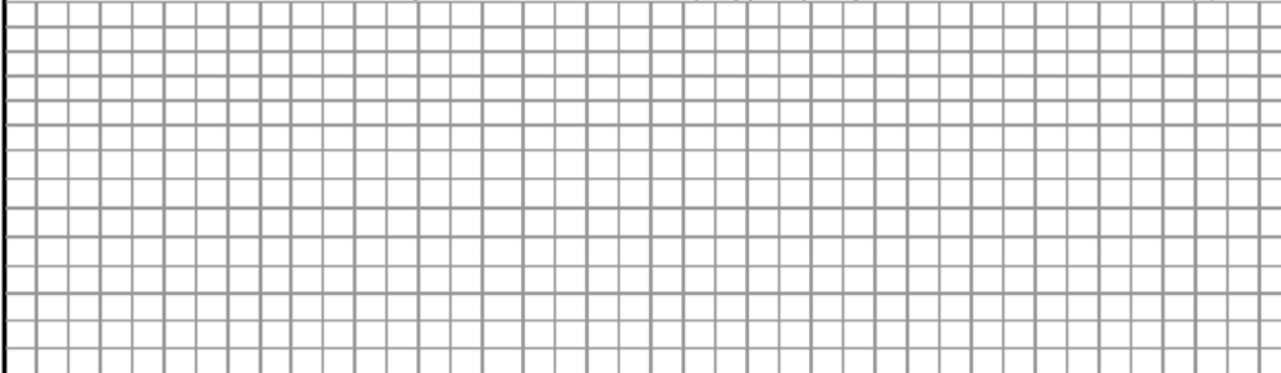


**OUTSWING HEADER SECTION**



**INSWING HEADER SECTION**

**Sketch Floor Plan - Show Entry Door and Interior Door (if applies) / Try to Mark Push Plate Location(s)**



*Jobsite Notes: (Please Circle YES or NO)*

Transom Glass Above Door? <b>YES / NO</b>	Room For 6" Header Above Door? <b>YES / NO</b>
Drywall Above Door? <b>YES / NO</b>	Can You Pull Door Open Without Turning Handle? <b>YES / NO</b>
Brick Above Door? <b>YES / NO</b>	Can You Push Door Open Without Depressing Panic Device? <b>YES / NO</b>

**WHEN COMPLETE PLEASE FAX BACK TO 847-869-2515**